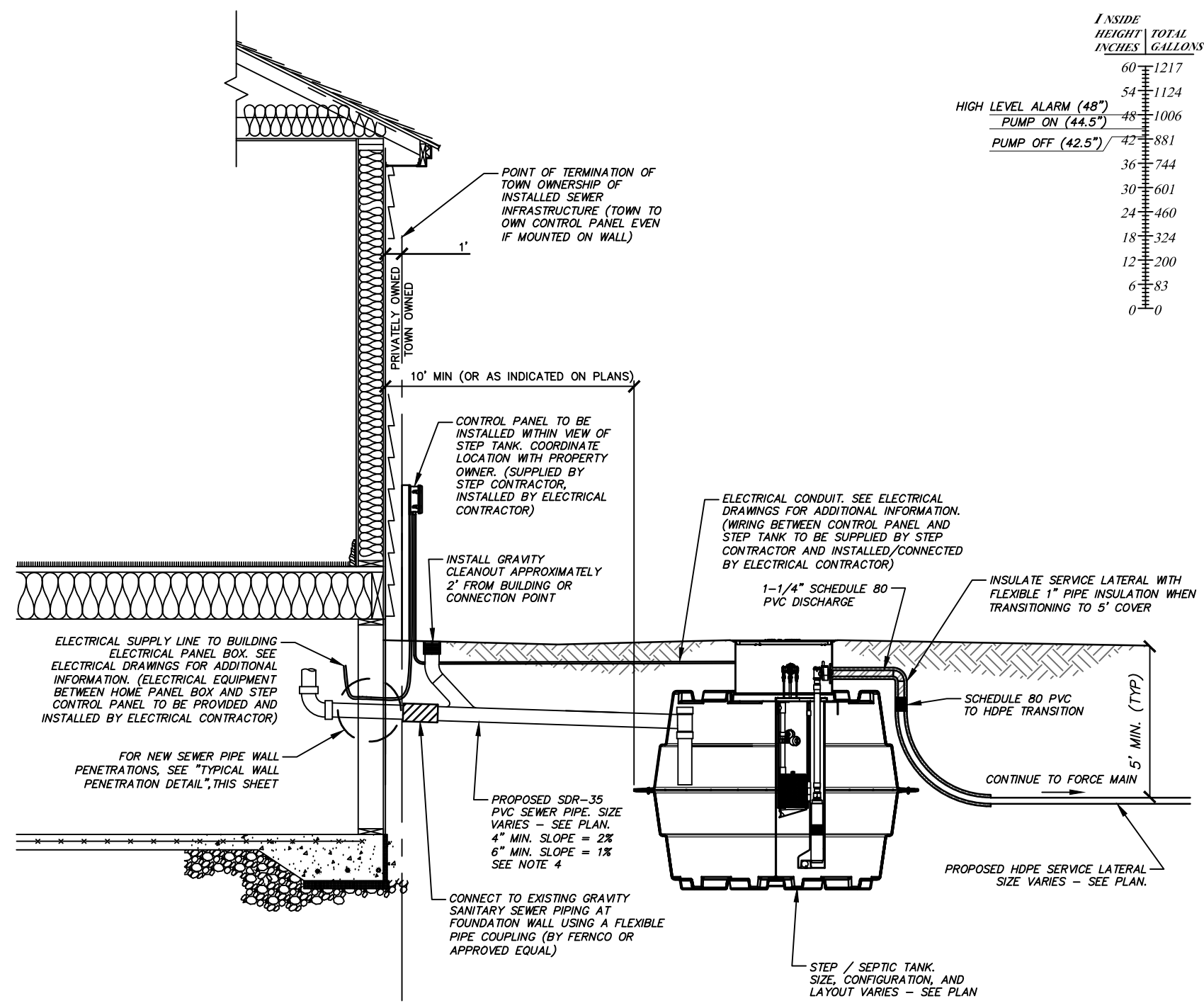
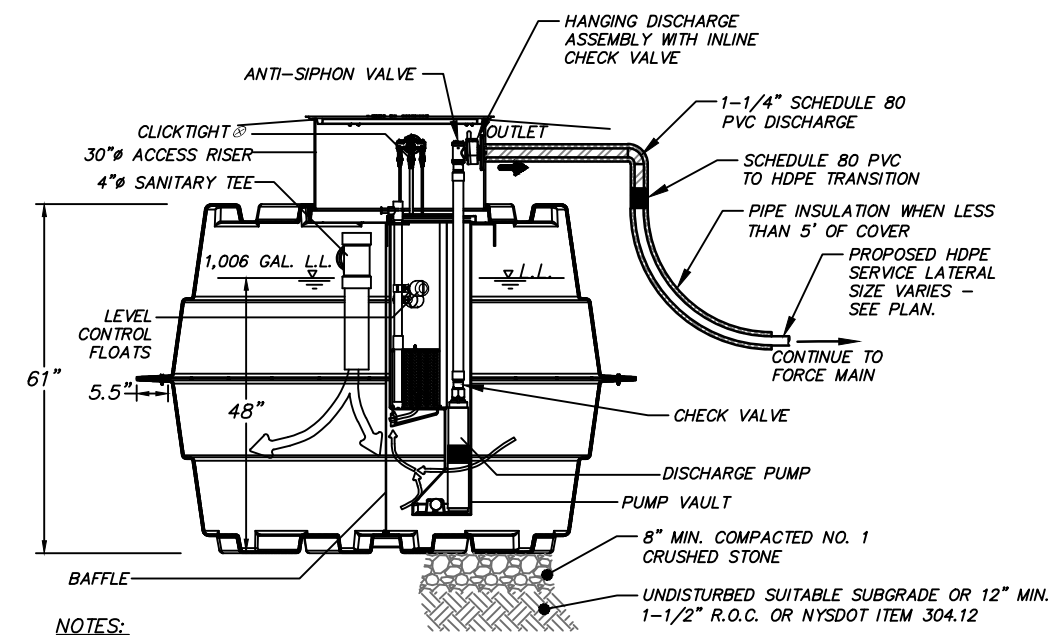


PROJECT LOCATION: X:\2017\2017-056\0104\_Engineering\01\_Drawing\DETAILS.dwg PLOT TIME: 2/8/2024 4:42:51 PM



2	<b>TYPICAL STEP INSTALLATION</b>
WS1	NOT TO SCALE

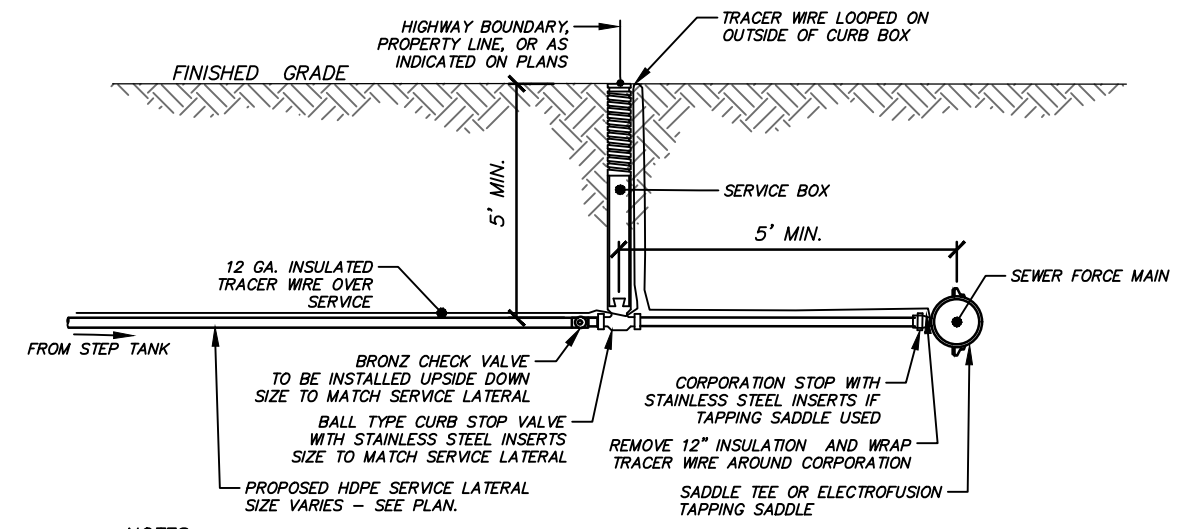
INSIDE HEIGHT INCHES	TOTAL GALLONS
60	1217
54	1124
HIGH LEVEL ALARM (48")	
PUMP ON (44.5")	48-1006
PUMP OFF (42.5")	42-881
	36-744
	30-601
	24-460
	18-324
	12-200
	6-83
0	0



**NOTES:**

1. DETAIL WAS PROVIDED BY ORENCO SYSTEMS IN, AND HAS HAD PROJECT SPECIFIC MODIFICATIONS MADE

1	<b>PRELOS PROCESSOR STEP TANK SECTION</b>
WS1	NOT TO SCALE



**NOTES:**

1. ALL SERVICE LATERALS FROM THE EFFLUENT SEWER MAIN TO THE PROPERTY LINE SHALL BE PRESSURE TESTED IN THE PRESENCE OF THE OWNERS REPRESENTATIVE PRIOR TO ANY BACKFILLING.
2. ALL SERVICE LATERALS TO BE INSTALLED WITH A MINIMUM OF 5' OF COVER.

3	<b>TYPICAL EFFLUENT SEWER SERVICE CONNECTION TO FORCE MAIN</b>
WS1	NOT TO SCALE



COPYRIGHT © 2024  
**GYMO**  
 ARCHITECTURE, ENGINEERING & LAND SURVEYING, P.C.  
 IT IS A VIOLATION OF SECTION 7209, SUBDIVISION 2, OF THE NEW YORK STATE EDUCATION LAW FOR ANY PERSON, UNLESS ACTING UNDER THE DIRECTION OF A LICENSED PROFESSIONAL ENGINEER OR LAND SURVEYOR TO ALTER THIS DOCUMENT IN ANY WAY. IF ALTERED, SUCH LICENSEE SHALL AFFIX HIS OR HER SEAL AND THE NOTATION "ALTERED BY" FOLLOWED BY HIS OR HER SIGNATURE, DATE AND A SPECIFIC DESCRIPTION OF ALTERATION.

STAMP:

# SAMPLE STEP DETAILS

## HENDERSON HARBOR WATER QUALITY IMPROVEMENT PROJECT

### HENDERSON SEWER DISTRICT NO. 1

PROJECT NO:	2017-056.01
SCALE:	N/A
DRAWN BY:	MT
DESIGNED BY:	
CHECKED BY:	
DATE ISSUED:	
LAST REVISED:	

**FOR APPROVALS ONLY  
 NOT FOR CONSTRUCTION**

DRAWING NO:  
**WS1**

JC OR ADDENDUM NO: